



CT Series ozone generator

Wall-Mounted

Corona discharge (CD) type ozone system

General

Bodycare Ozone Tech's CT Series ozone generator utilize corona discharge (CD) ozone generating technologies, Bodycare Ozone Tech's CT Series utilize module design. CD Ozone generation module made from high temperature and high voltage resistance quartz glass tube, SS 316 L tube, Kynar (PVDF) end cup, Viton "O" ring, aluminum heat sink and individual fused high frequency high voltage power supply for longer reliable use.

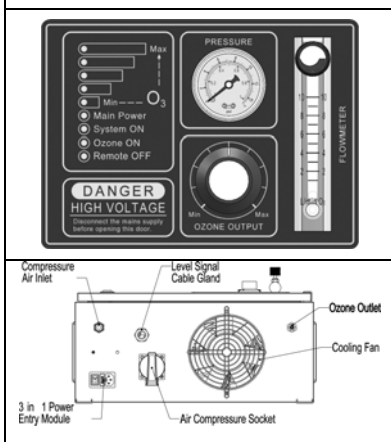
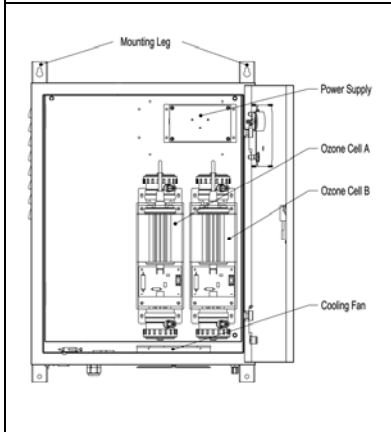
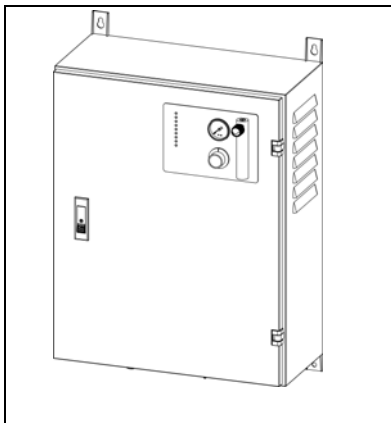
CT-10/20 Location and electrical information

The CT-10/20 are designed for wall mounting. Generator should be mounted in a clean, protected area, either indoors or outdoors. Locating generator is distance from corner at least 1m. Allow sufficient access for maintenance and all tubing and electrical wires. Ozone generator should be installed no less than 1.5m above the ground.

The CT-10/20 are supplied with a standard power cord. Plug the cord into a standard 230V, three pins socket with ground pin .NOTE: To meet high grade electrical safety code, a ground-fault circuit interrupter (G.F.C.I.) need installed in inlet main power line.

Features of CT series

- Dryer air or oxygen gas as feed gas
- High pure quartz dielectric glass tube
- High-frequency power supply
- Adjustable flow meter indicate air flow through system
- 0 - 100% ozone output variable
- Door switch, overheating switch
- Current overdraw circuit breaker and fuse(s)
- Module designed for easy operation and maintenance
- Gray powder coated steel construction
- Air-cooled, wall mount



Add: 29-18 Jingshenxi 3RD Str. Daoyi Economic Development Dis. Shenyang 110136, P.R.China

E-MAIL: bodycareozone@188.com Web:<http://www.bodycareozone.com>

TEL: +86-24-89722179 FAX: +86-24-89722178

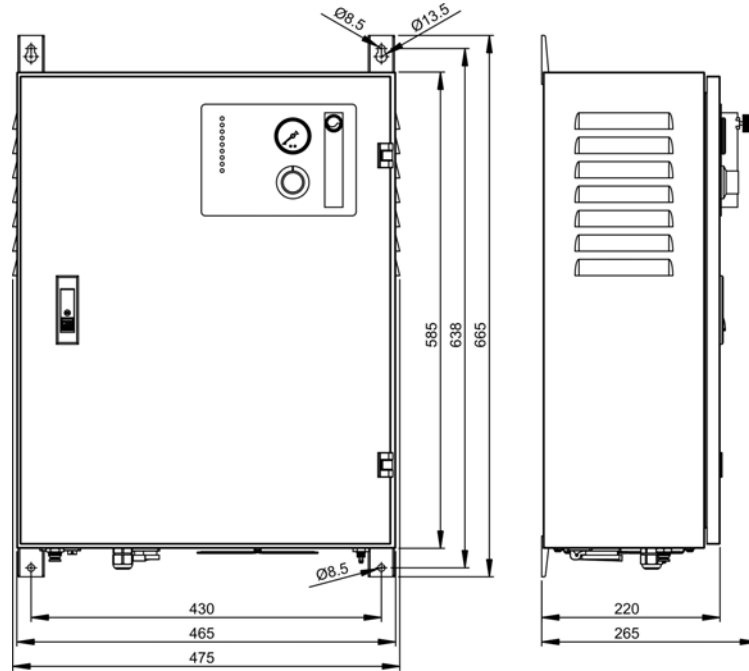


CT Series ozone generator

Wall-Mounted

Corona discharge type ozone system

GENERAL VIEW



Technical Information

MODEL	Ozone production (g/H)	Power Consumption(kw)	O2 flow (l/min)	Feed gas pressure (bar)	INPUT VOLTAGE 1 PHASE AC
CT-10	10	0.18	2.5	0.6	240/120 V 50/60 Hz
CT-20	20	0.35	3.5	0.6	240/120 V 50/60 Hz
CT-30	30	0.52	5	0.6	240/120 V 50/60 Hz

NOTE:

1. Working area temperature > 5 °C , < 40 °C , humidity < 80% RH
2. Blower Size: 0.6 m³/min

Add: 29-18 Jingshenxi 3RD Str. Daoyi Economic Development Dis. Shenyang 110136, P.R.China

E-MAIL: bodycareozone@188.com Web:<http://www.bodycareozone.com>

TEL: +86-24-89722179 FAX: +86-24-89722178

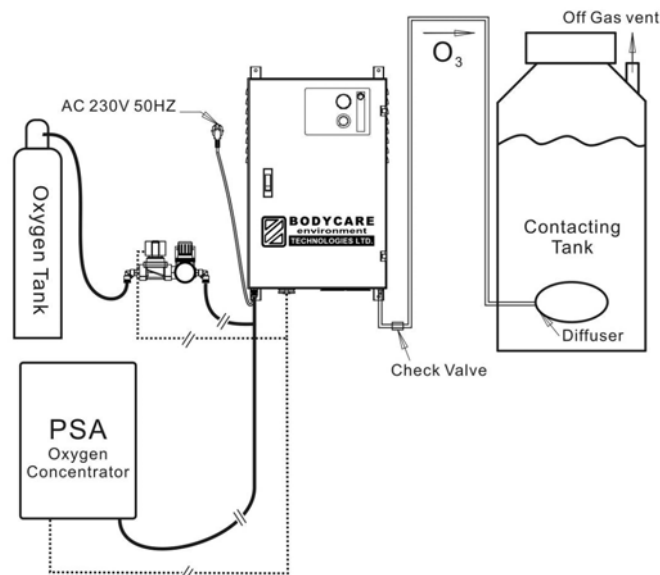
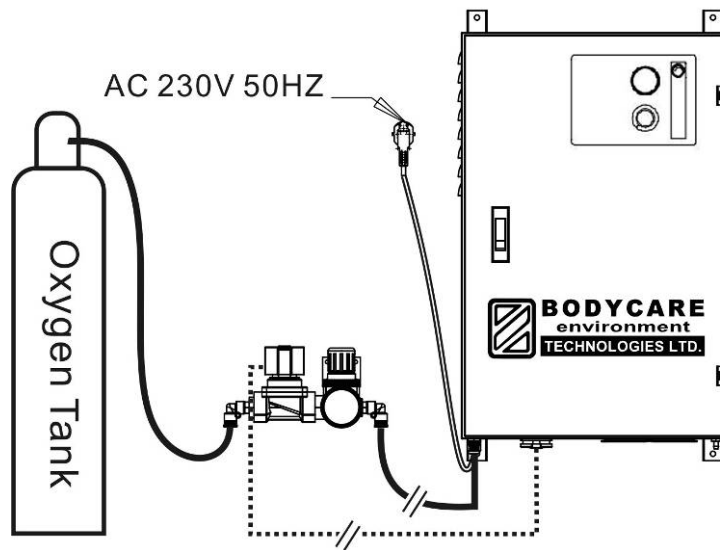


CT Series ozone generator

Wall-Mounted

Corona discharge type ozone system

FAST INSTALLATION GUIDELINE



Add: 29-18 Jingshenxi 3RD Str. Daoyi Economic Development Dis. Shenyang 110136, P.R.China

E-MAIL: bodycareozone@188.com Web:<http://www.bodycareozone.com>

TEL: +86-24-89722179 FAX: +86-24-89722178



CT Series ozone generator

Wall-Mounted

Corona discharge type ozone system

FAST INSTALLATION GUIDELINE

